



Automotive Connector Terminals

- Top Quality Terminals
- R&D Various Precision Metal Mould
- Terminal Mould
- Composite metal Mould
- OBM (Own Branding & Manufacturing)
- ODM (Original Designing & Manufacturing)
- OEM Capability

Automotive Connector Terminals

COMPANY PROFILE

Shandong Universal Precision Industrial Limited was founded in 2016. Located in Shandong province, China. It is a wholly owned subsidiary belong to Shandong Universal cables Ltd.

Our products are widely used in automobile industry, industry sector, spaceflight industry and other related fields. With the whole experienced technical team, first-class materials and the world's most advanced manufacturing equipment.

Our factory is equipped with various machines such as low-speed wire cutting, EDM, PG, grinder, milling machine, CNC, high-speed stamping machine, vertical injection machine, 2.5D, automatic insertion force testing machine, salt test machine and terminal crimping machine. We source our materials from Japan, the US, mainland China and Taiwan(China).

Our Advantages:

Customized tooling and products as per customer request.

Experienced R&D Department

Many terminals in stock

OBM (Own Branding & Manufacturing)

ODM (Original Designing & Manufacturing)

OEM Capability

Please contact us for details, let us contribute to your success

sales@uecable.com



Automotive Connector Terminals

CERTIFICATE



Automotive Connector Terminals

» FACTORY WORKSHOP SCENE



Automotive Connector Terminals

» PROCESSING EQUIPMENT



High-speed wire cutting



Milling machine



Precision Surface Grinder



Speed CNC Piercing
Punch Press Machine



Precision Spark Machine



CNC Milling Machine



High Performance Wire EDM

Automotive Connector Terminals

TESTING EQUIPMENT



Terminal profile analyzer

TaiWan WanHao Video Measuring System



Nikon digital height gauge



Micro-Computer Tensile Strength Tester



Micro-Computer Tensile Strength Tester



High Voltage Tester



DC low resistance tester



Thermostatic oil tank



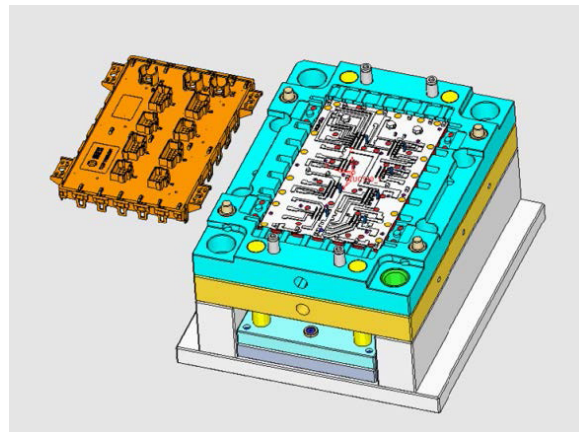
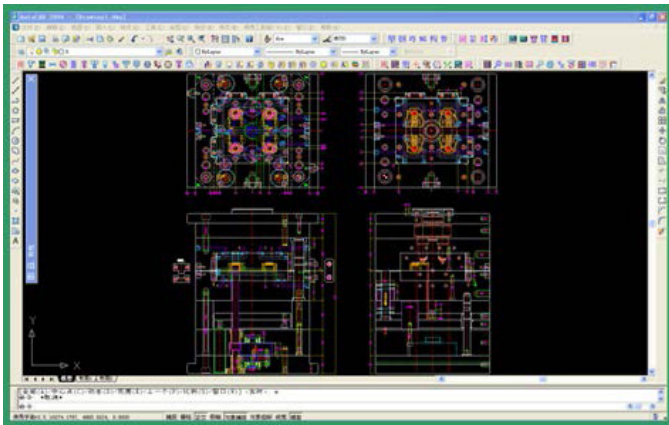
Precision aging test machine



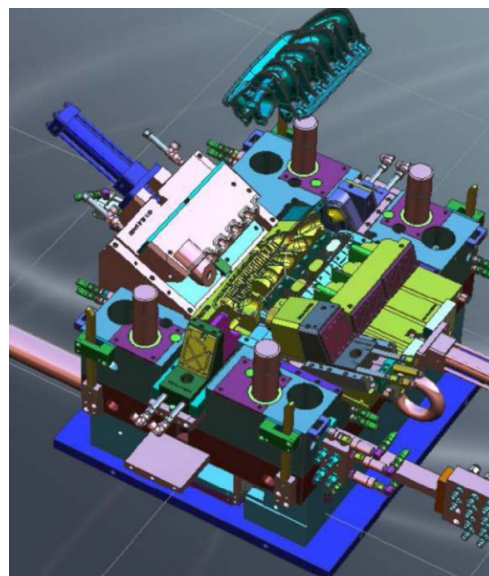
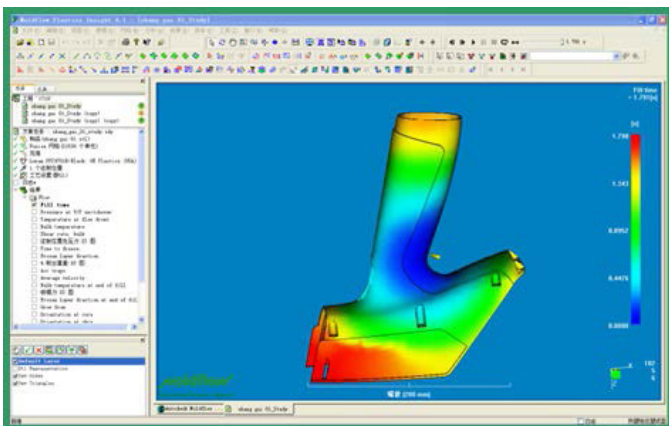
Temperature Rise Test Equipment

Automotive Connector Terminals

MOULD DESIGN



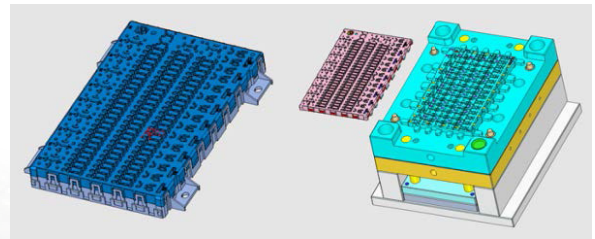
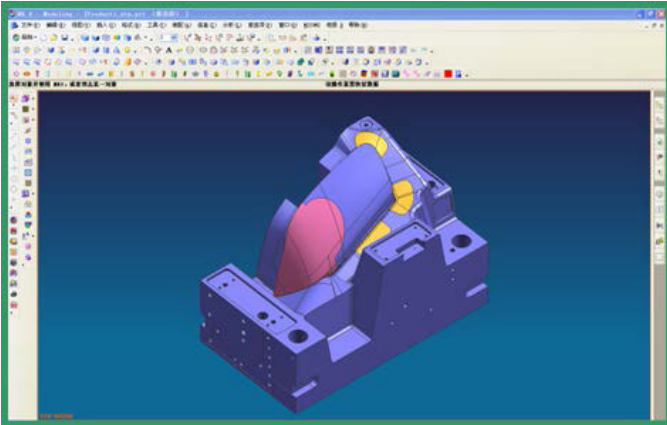
We have a powerful design software Auto CAD to make 2D assembly drawings, and provide the 2D drawings to customers for reviewing first, complete the mold processing in the shortest time, give customers satisfactory products.



Moldflow analysis software. Choosing the best glue feeding position of the product can quickly fill the cavity. Analyze product warpage, weld marks, pores, stress marks, etc. to reduce maintenance after mold completed.

Automotive Connector Terminals

➤ MOULD DESIGN



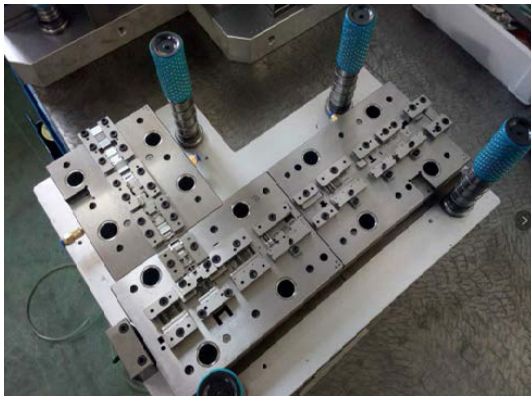
UG, Cimatron design 3D modeling and programming processing. Constructing 3D according to the structure of the 2D assembly diagram can express each part more clearly, and the more complex structure can simulate the motion simulation in 3D.



Automotive Connector Terminals



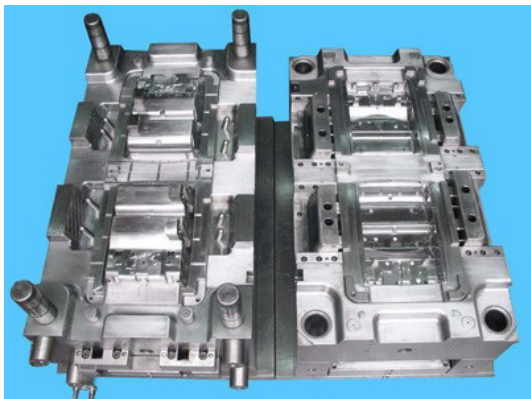
» MOULD DESIGN



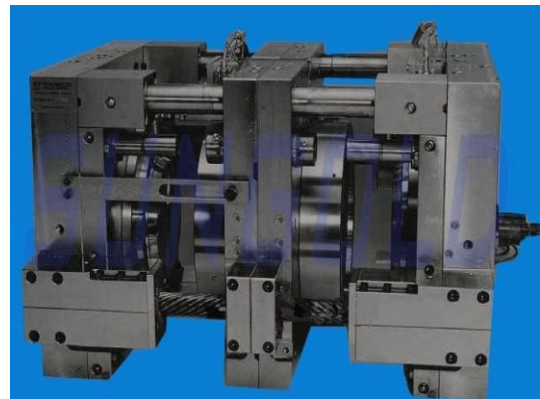
Terminal Progressive Mold (Multi-station metal mold)



Plastic Mold



Double Shot Molding



Overmolding

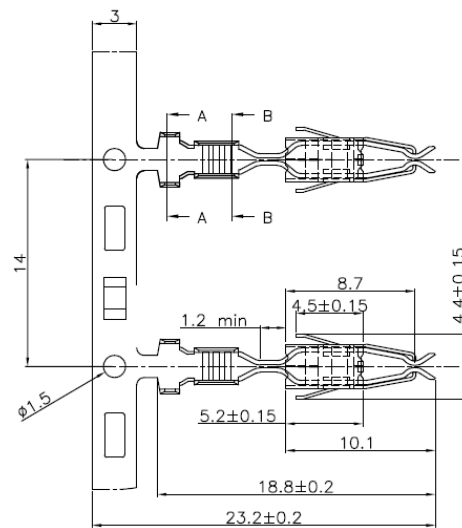
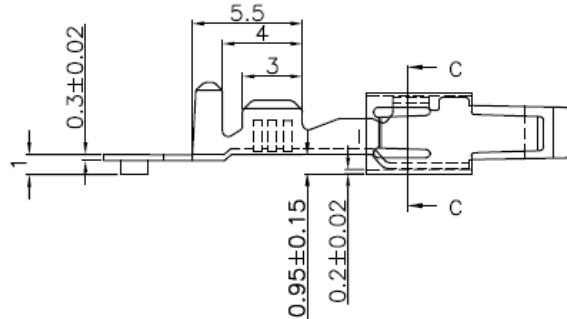
TABLE OF CONTENTS

HY8801-1 (Equivalent TE964284-2)	10
HY8801-2 (Equivalent TE 965999-2)	11
HY8802-2 (Equivalent TE929974-1)	12
HY8802-3 (Equivalent TE 929975-1)	13
HY8802-4 (Equivalent TE 929974-9)	14
HY8803 (Equivalent 26538201141)	15
HY8805-1 (Equivalent TE 928999-1)	16
HY8805-2 (Equivalent TE 963715-1)	17
HY8805-3 (Equivalent TE 962885-1)	18
HY8805-4 (Equivalent TE 965906-1)	19
HY8806-1 (Equivalent TE 929939-3)	20
HY8806-2 (Equivalent TE 929939-1)	21
HY8807-1 (Equivalent TE 964274-2)	22
HY8807-2 (Equivalent TE 964263-2)	23
HY8808-1 (Equivalent TE171662-1)	24
HY8809-1 (Equivalent ST730365-3)	25
HY8809-2 (Equivalent ST730502-3)	26
HY8810-1 (Equivalent 12191811)	27
HY8810-2 (Equivalent 12191818)	28
HY8810-3 (Equivalent 12191819)	29
HY8811-1 (Equivalent 61113050)	30
HY8812-1 (Equivalent TE171661-1)	31
HY8812-2 (Equivalent TE171631-1)	32
HY8812-3 (Equivalent TE171631-2)	33
HY8813-1 (Equivalent TE1123343-1)	34
HY8815-1 (Equivalent TE964269-2)	35
HY8816-1 (Equivalent 192990-2490)	36
HY8816-2 (Equivalent 192990-2530)	37
HY8817-1 (Equivalent TE175265-1)	38
HY8820-1 (Equivalent TE282110-1)	39
HY8820-2 (Equivalent TE282466-1)	40
HY8821-1 (Equivalent 26701201185)	41
HY8821-2 (Equivalent 26705201185)	42
HY8822-1 (Equivalent TE2-964294-2)	43
HY8822-2 (Equivalent TE2-964296-2)	44

Automotive Connector Terminals



Part Number : HY8801-1 (Equivalent TE964284-2)



Product Type Features

- Sealable: No
- Material Type: Phosphor bronze
- Surface Treatment: Tin Plating
- Automotive Terminal Wire Type: Copper
- Operating Temperature Range: -40–130 °C [-40–266°F]

Contact Features

- Typical Current Rating: 30A
- Crimp Type: F-Crimp
- Terminal & Splice Type: Receptacle
- Automotive Terminal Interface Plating: Tin (Sn)
- Contact Termination Area Plating Material: Tin (Sn)

Termination Features

- Automotive Terminal Termination Method: Crimp

Dimensions

- Material Thickness: Main Body: 0.3mm
- Wire Size: 0.5-1mm²
- Wire Insulation Diameter: 1.4 – 2.1 mm [.055 – .083 in]

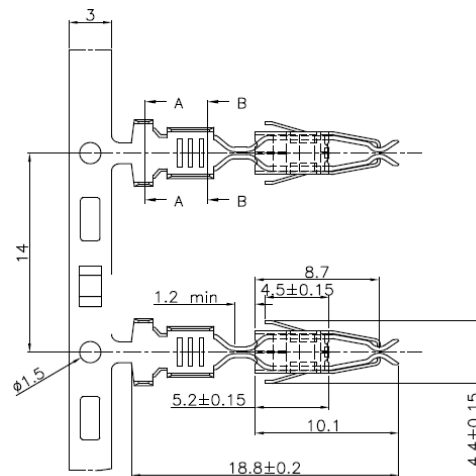
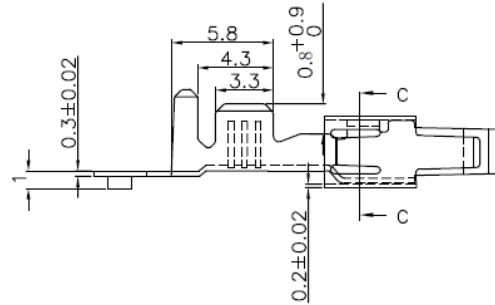
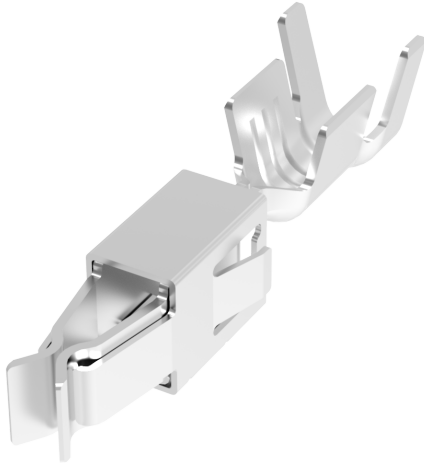
Packaging

- Packing Method: Reel
- Packaging Quantity per Reel: 4000pcs
- 1 carton: 3 reels

Automotive Connector Terminals



Part Number : HY8801-2 (Equivalent TE 965999-2)



Product Type Features

- Sealable: No
- Material Type: Phosphor bronze
- Surface Treatment: Tin Plating
- Automotive Terminal Wire Type: Copper
- Operating Temperature Range: -40–130 °C [-40–266°F]

Contact Features

- Typical Current Rating: 30A
- Crimp Type: F-Crimp
- Terminal & Splice Type: Receptacle
- Automotive Terminal Interface Plating: Tin (Sn)
- Contact Termination Area Plating Material: Tin (Sn)

Termination Features

- Automotive Terminal Termination Method: Crimp

Dimensions

- Material Thickness: Main Body: 0.3mm
- Wire Size: 1-2.5mm²
- Wire Insulation Diameter: 2.2 – 3 mm [.087 – .118 in]

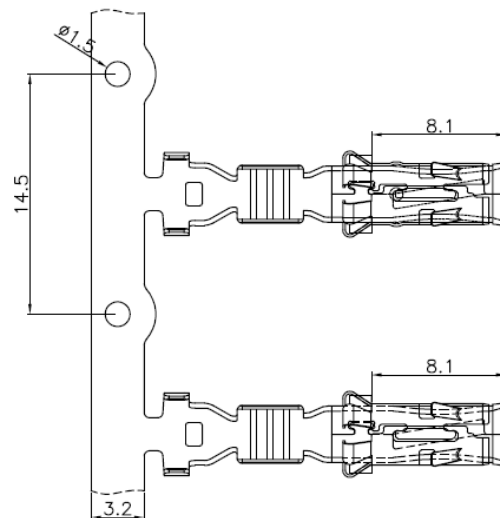
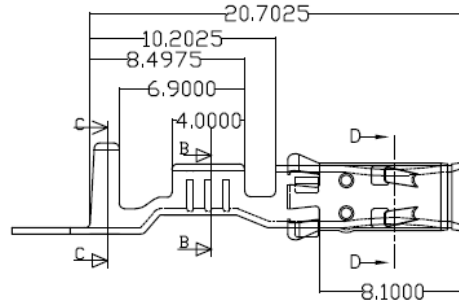
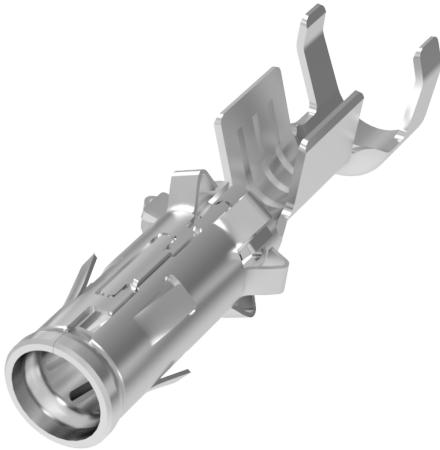
Packaging

- Packing Method: Reel
- Packaging Quantity per Reel: 3200pcs
- 1 carton: 3 reels

Automotive Connector Terminals



Part Number : HY8802-2 (Equivalent TE929974-1)



Product Type Features

- Sealable: Yes
- Material Type: Phosphor bronze
- Surface Treatment: Tin Plating
- Automotive Terminal Wire Type: Copper
- Operating Temperature Range: -40–130 °C [-40–266 °F]

Contact Features

- Typical Current Rating: 20A
- Crimp Type: F-Crimp
- Terminal & Splice Type: Socket
- Automotive Terminal Interface Plating: Silver (Ag)
- Contact Termination Area Plating Material: Silver (Ag)

Termination Features

- Automotive Terminal Termination Method: Crimp

Dimensions

- Material Thickness: Main Body: 0.35mm
- Wire Size: 0.5-1mm²
- Wire Insulation Diameter: 1.2 – 2.1 mm [.047-.082 in]

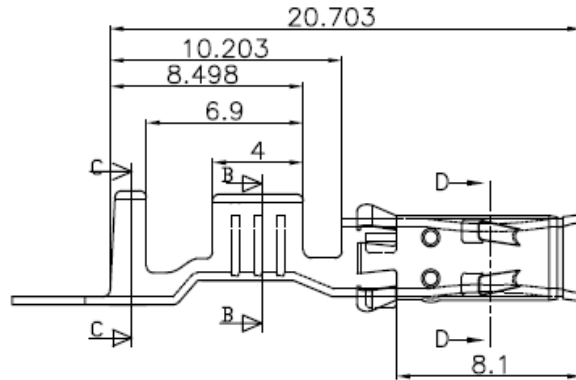
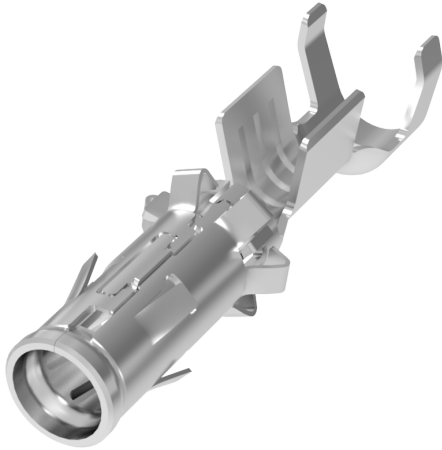
Packaging

- Packing Method: Reel
- Packaging Quantity per Reel: 3000pcs
- 1 carton: 3 reels

Automotive Connector Terminals



Part Number : HY8802-3 (Equivalent TE 929975-1)

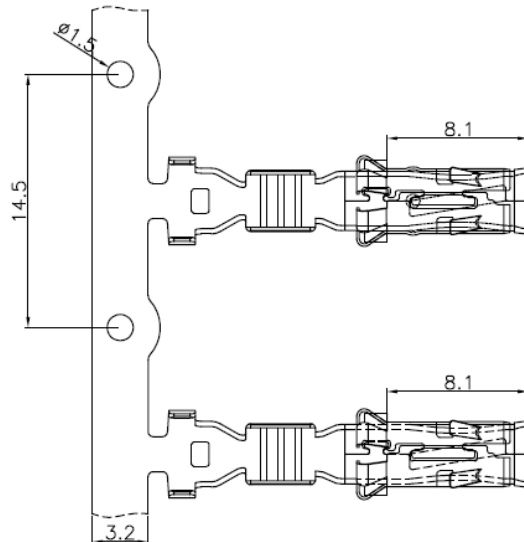


Product Type Features

- Sealable: Yes
- Material Type: Phosphor bronze
- Surface Treatment: Tin Plating
- Automotive Terminal Wire Type: Copper
- Operating Temperature Range: -40–130 °C [-40–266 °F]

Contact Features

- Typical Current Rating: 34A
- Crimp Type: F-Crimp
- Terminal & Splice Type: Receptacle
- Automotive Terminal Interface Plating: Tin (Sn)
- Contact Termination Area Plating Material: Tin (Sn)



Termination Features

- Automotive Terminal Termination Method: Crimp

Dimensions

- Material Thickness: Main Body: 0.35mm
- Wire Size: 1.5-2.5mm²
- Wire Insulation Diameter: 2.2 – 3 mm [.086-.118 in]

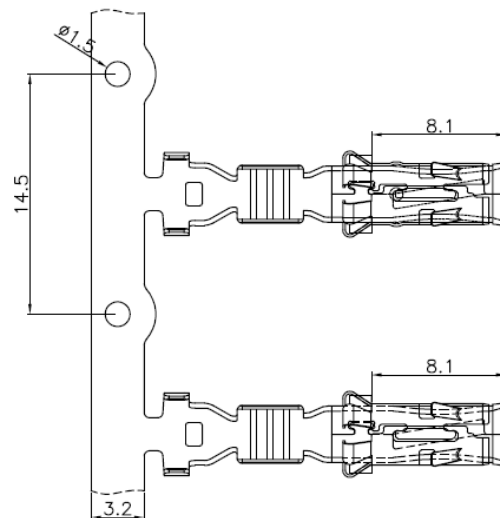
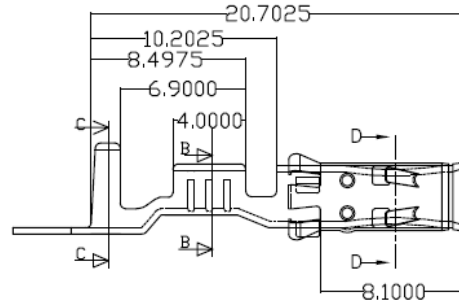
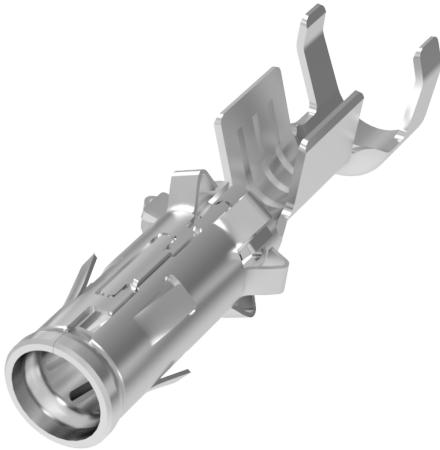
Packaging

- Packing Method: Reel
- Packaging Quantity per Reel: 3000pcs
- 1 carton: 3 reels

Automotive Connector Terminals



Part Number : HY8802-4 (Equivalent TE 929974-9)



Product Type Features

- Sealable: Yes
- Material Type: Phosphor bronze
- Surface Treatment: Silver Plating
- Automotive Terminal Wire Type: Copper
- Operating Temperature Range: -40–130 °C [-40–266 °F]

Contact Features

- Typical Current Rating: 20A
- Crimp Type: F-Crimp
- Terminal & Splice Type: Socket
- Automotive Terminal Interface Plating: Silver (Ag)
- Contact Termination Area Plating Material: Silver (Ag)

Termination Features

- Automotive Terminal Termination Method: Crimp

Dimensions

- Material Thickness: Main Body: 0.35mm
- Wire Size: 0.5-1mm²
- Wire Insulation Diameter: 1.2 – 2.1 mm [.047-.082 in]

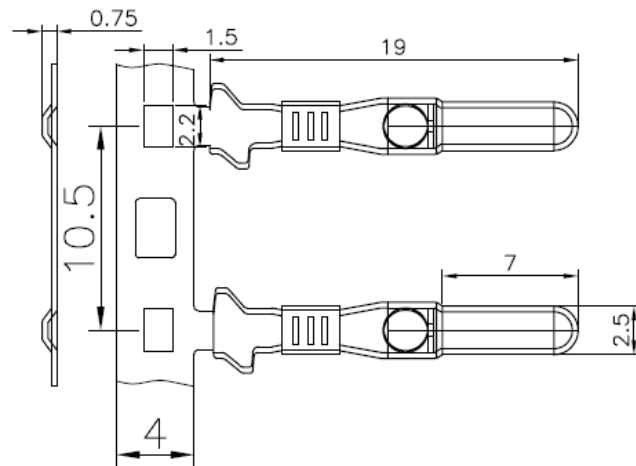
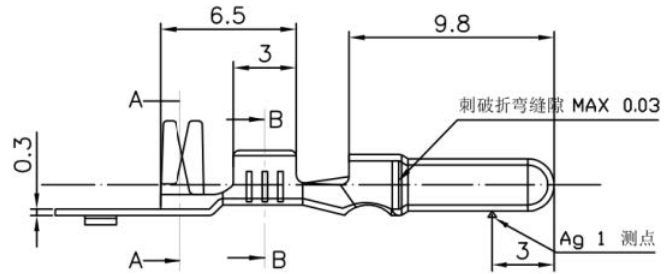
Packaging

- Packing Method: Reel
- Packaging Quantity per Reel: 3000pcs
- 1 carton: 3 reels

Automotive Connector Terminals



Part Number : HY8803 (Equivalent 26538201141)



Product Type Features

Sealable: No

Material Type: CuSn

Surface Treatment: Silver Plating (Ag)

Automotive Terminal Wire Type: Copper

Termination Features

Automotive Terminal Termination Method: Crimp

Dimensions

Material Thickness: Main Body: 0.3mm

Wire Size: 0.5-1.0mm²

Wire Insulation Diameter: 2.1 – 2.7 mm

Packaging

Packing Method: Reel

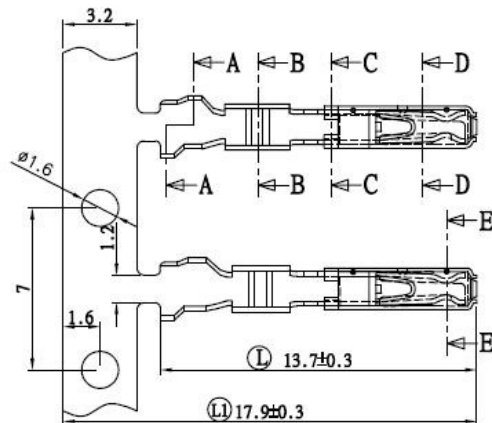
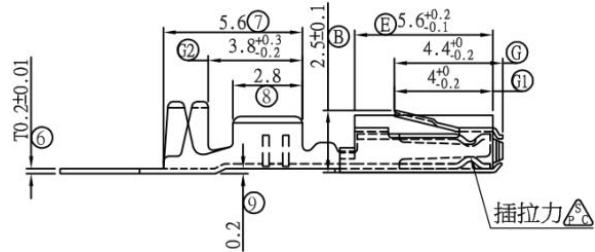
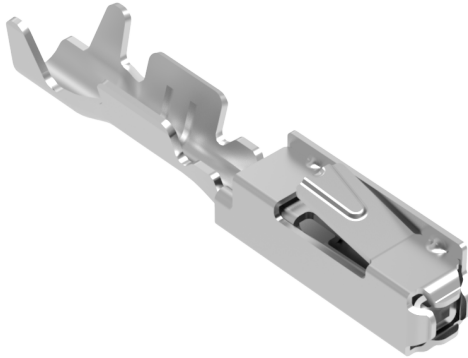
Packaging Quantity per Reel: 5000pcs

1 carton: 3 reels

Automotive Connector Terminals



Part Number : HY8805-1 (Equivalent TE 928999-1)



Product Type Features

- Sealable: No
- Material Type: Copper Alloy
- Surface Treatment: Tin Plating
- Automotive Terminal Wire Type: Copper
- Operating Temperature Range: -40–130 °C [-40–266 °F]

Contact Features

- Typical Current Rating: 7.5A
- Crimp Type: F-Crimp
- Terminal & Splice Type: Receptacle
- Automotive Terminal Interface Plating: Tin (Sn)
- Contact Termination Area Plating Material: Tin (Sn)

Termination Features

- Automotive Terminal Termination Method: Crimp

Dimensions

- Material Thickness: Main Body: 0.2mm
- Wire Size: 0.25-0.35mm²
- Wire Insulation Diameter: 1.1 – 1.6 mm [.043 – .063 in]

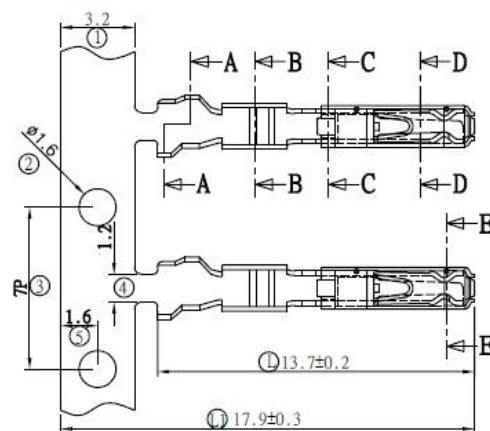
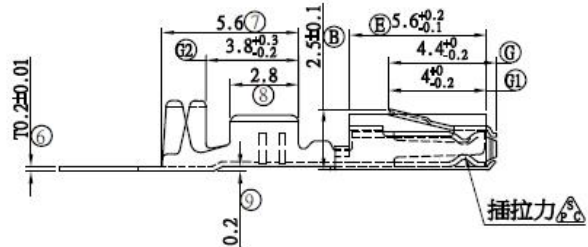
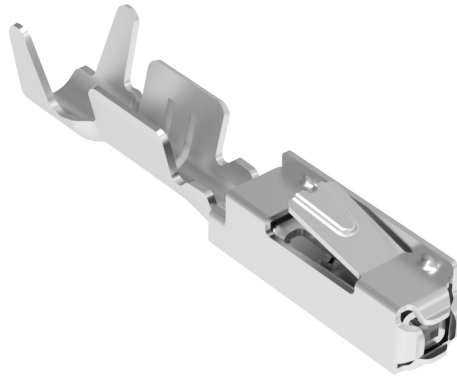
Packaging

- Packing Method: Reel
- Packaging Quantity per Reel: 13000pcs
- 1 carton: 3 reels

Automotive Connector Terminals



Part Number : HY8805-2 (Equivalent TE 963715-1)



Product Type Features

Sealable: No
Material Type: Copper Alloy
Surface Treatment: Tin Plating
Automotive Terminal Wire Type: Copper
Operating Temperature Range: $-40\text{--}120\text{ }^{\circ}\text{C}$ [$-40\text{--}248\text{ }^{\circ}\text{F}$]

Contact Features

Typical Current Rating: 7.5A
Crimp Type: F-Crimp
Terminal & Splice Type: Receptacle
Automotive Terminal Interface Plating: Tin (Sn)
Contact Termination Area Plating Material: Tin (Sn)

Termination Features

Automotive Terminal Termination Method: Crimp

Dimensions

Material Thickness: Main Body: 0.2mm
Wire Size: $0.5\text{--}0.75\text{mm}^2$
Wire Insulation Diameter: 1.3 – 1.9 mm [.051 – .074 in]

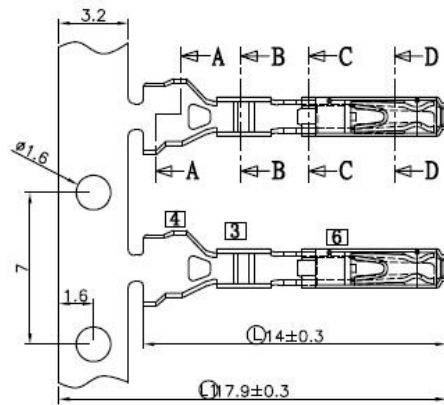
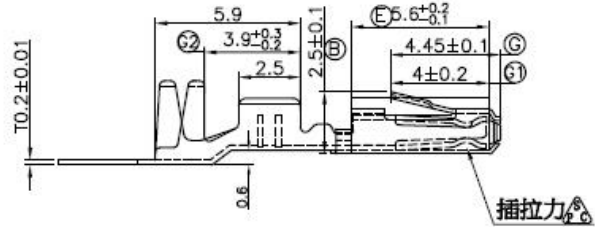
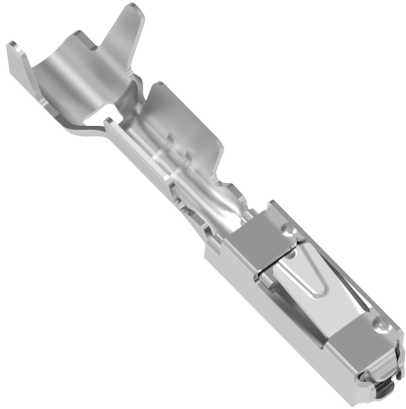
Packaging

Packing Method: Reel
Packaging Quantity per Reel: 10000pcs
1 carton: 3 reels

Automotive Connector Terminals



Part Number : HY8805-3 (Equivalent TE 962885-1)



Product Type Features

- Sealable: Yes
- Material Type: Copper Alloy
- Surface Treatment: Tin Plating
- Automotive Terminal Wire Type: Copper
- Operating Temperature Range: -40–140 °C [-40–284 °F]

Contact Features

- Typical Current Rating: 7.5A
- Crimp Type: F-Crimp
- Terminal & Splice Type: Receptacle
- Automotive Terminal Interface Plating: Tin (Sn)
- Contact Termination Area Plating Material: Tin (Sn)

Termination Features

- Automotive Terminal Termination Method: Crimp

Dimensions

- Material Thickness: Main Body: 0.2mm
- Wire Size: 0.25-0.35mm²
- Wire Insulation Diameter: 1.1 – 1.6 mm[0.043 – 0.063 in]

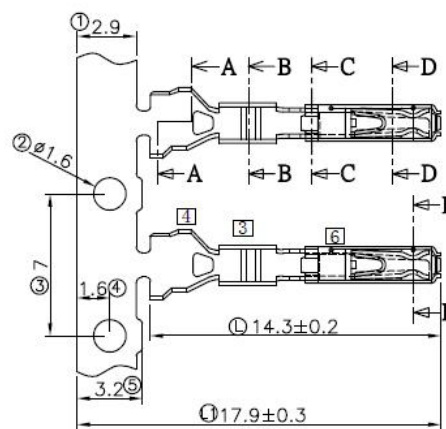
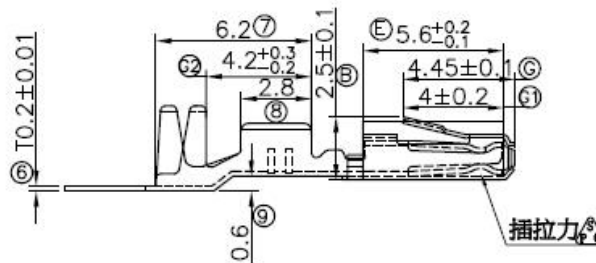
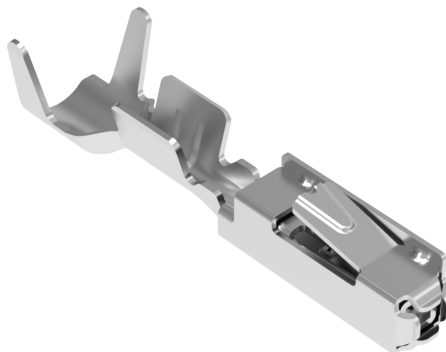
Packaging

- Packing Method: Reel
- Packaging Quantity per Reel: 9000pcs
- 1 carton: 3 reels

Automotive Connector Terminals



Part Number : HY8805-4 (Equivalent TE 965906-1)



Product Type Features

- Sealable: Yes
- Material Type: Copper Alloy
- Surface Treatment: Tin Plating
- Automotive Terminal Wire Type: Copper
- Operating Temperature Range: -40–120 °C [-40–248 °F]

Contact Features

- Typical Current Rating: 7.5A
- Crimp Type: F-Crimp
- Terminal & Splice Type: Receptacle
- Automotive Terminal Interface Plating: Tin (Sn)
- Contact Termination Area Plating Material: Tin (Sn)

Termination Features

- Automotive Terminal Termination Method: Crimp

Dimensions

- Material Thickness: Main Body: 0.2mm
- Wire Size: 0.5-0.75mm²
- Wire Insulation Diameter: 1.3 – 1.9 mm [.051 – .074 in]

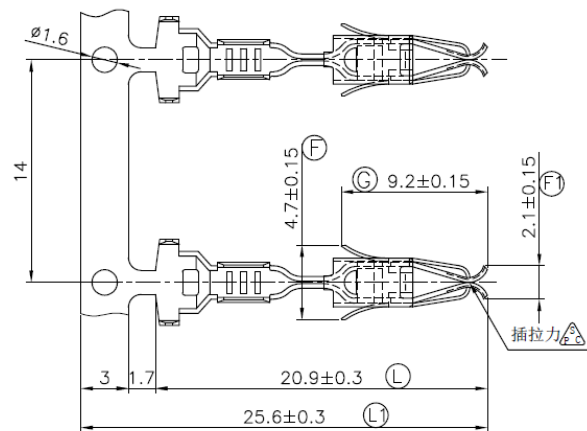
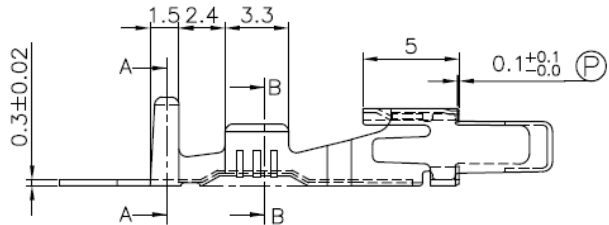
Packaging

- Packing Method: Reel
- Packaging Quantity per Reel: 9000pcs
- 1 carton: 3 reels

Automotive Connector Terminals



Part Number : HY8806-1 (Equivalent TE 929939-3)



Product Type Features

- Sealable: Yes
- Material Type: Phosphor bronze
- Surface Treatment: Tin Plating
- Automotive Terminal Wire Type: Copper
- Operating Temperature Range: -40–130 °C [-40–266 °F]

Contact Features

- Typical Current Rating: 30A
- Crimp Type: F-Crimp
- Terminal & Splice Type: Receptacle
- Automotive Terminal Interface Plating: Tin (Sn)
- Contact Termination Area Plating Material: Tin (Sn)

Termination Features

- Automotive Terminal Termination Method: Crimp

Dimensions

- Material Thickness: Main Body: 0.3mm
- Wire Size: 0.5-1mm²
- Wire Insulation Diameter: 1.4 – 2.1 mm, 2-2.7mm, 3.4mm[.134 in]

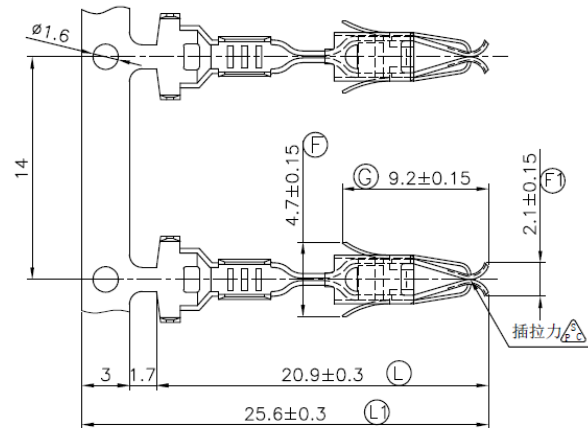
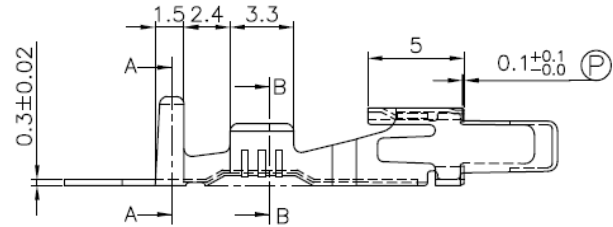
Packaging

- Packing Method: Reel
- Packaging Quantity per Reel: 3750pcs
- 1 carton: 3 reels

Automotive Connector Terminals



Part Number : HY8806-2 (Equivalent TE 929939-1)



Product Type Features

- Sealable: Yes
- Material Type: Phosphor bronze
- Surface Treatment: Tin Plating
- Automotive Terminal Wire Type: Copper
- Operating Temperature Range: -40–130 °C [-40–266 °F]

Contact Features

- Typical Current Rating: 30A
- Crimp Type: F-Crimp
- Terminal & Splice Type: Receptacle
- Automotive Terminal Interface Plating: Tin (Sn)
- Contact Termination Area Plating Material: Tin (Sn)

Termination Features

- Automotive Terminal Termination Method: Crimp

Dimensions

- Material Thickness: Main Body: 0.3mm
- Wire Size: 0.5-1mm²
- Wire Insulation Diameter: 1.4 – 2.7 mm, 2-2.7mm, 3.4mm [.055 – .106 in]

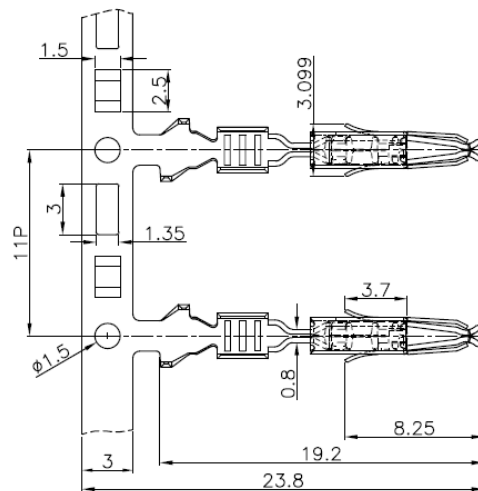
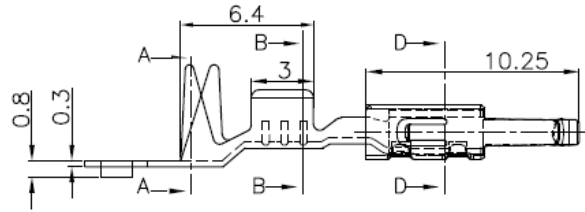
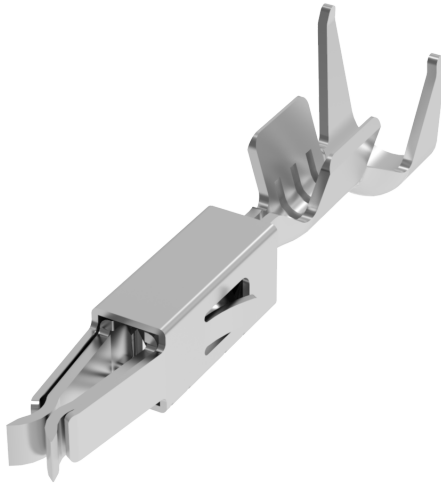
Packaging

- Packing Method: Reel
- Packaging Quantity per Reel: 3750pcs
- 1 carton: 3 reels

Automotive Connector Terminals



Part Number : HY8807-1 (Equivalent TE 964274-2)



Product Type Features

- Sealable: Yes
- Material Type: Phosphor bronze
- Surface Treatment: Tin Plating
- Automotive Terminal Wire Type: Copper
- Operating Temperature Range: -40–120 °C [-40–248°F]

Contact Features

- Typical Current Rating: 10A
- Crimp Type: F-Crimp
- Terminal & Splice Type: Receptacle
- Automotive Terminal Interface Plating: Tin (Sn)
- Contact Termination Area Plating Material: Tin (Sn)

Termination Features

- Automotive Terminal Termination Method: Crimp

Dimensions

- Material Thickness: Main Body: 0.32mm
- Wire Size: 0.5-1mm²
- Wire Insulation Diameter: 1.4 – 2.1 mm [.055 –.083 in]

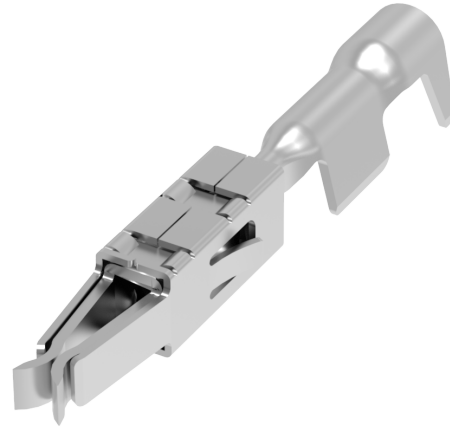
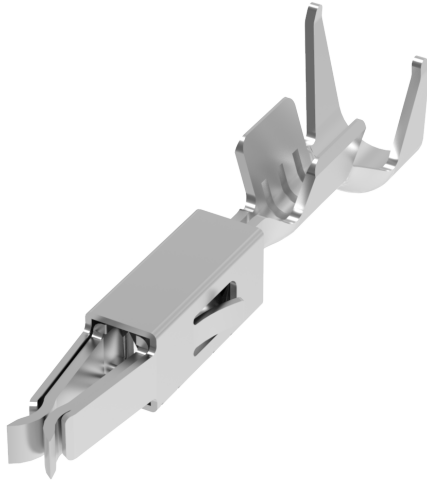
Packaging

- Packing Method: Reel
- Packaging Quantity per Reel: 4000pcs
- 1 carton: 3 reels

Automotive Connector Terminals



Part Number : HY8807-2 (Equivalent TE 964263-2)



Product Type Features

- Sealable: No
- Material Type: Copper
- Surface Treatment: Tin Plating
- Automotive Terminal Wire Type: Copper
- Operating Temperature Range: -40–120 °C [-40–248°F]

Contact Features

- Typical Current Rating: 10A
- Crimp Type: F-Crimp
- Terminal & Splice Type: Receptacle
- Automotive Terminal Interface Plating: Tin (Sn)
- Contact Termination Area Plating Material: Tin (Sn)

Termination Features

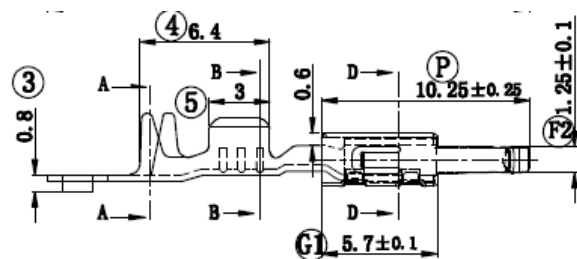
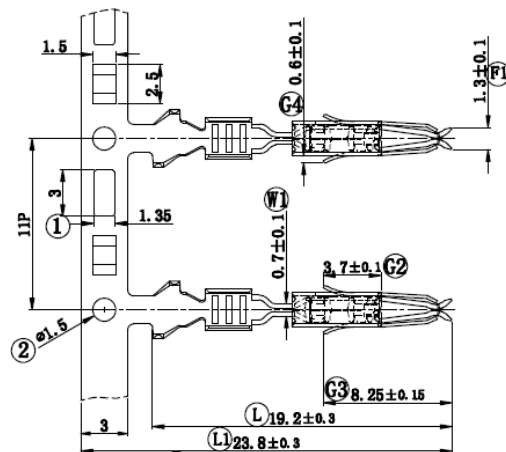
- Automotive Terminal Termination Method: Crimp

Dimensions

- Material Thickness: Main Body: 0.32mm
- Wire Size: 0.5-1mm²
- Wire Insulation Diameter: 1.4 – 2.1 mm [.055 – .083 in]

Packaging

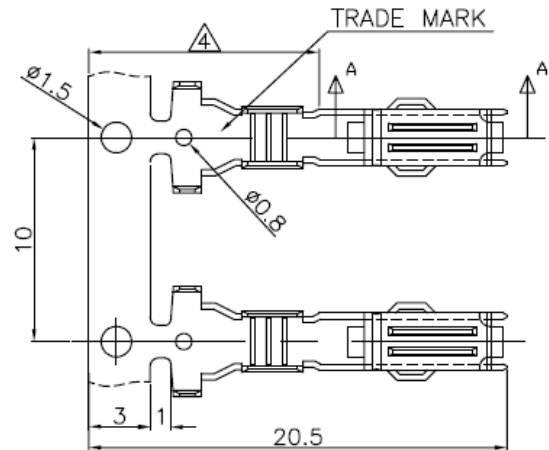
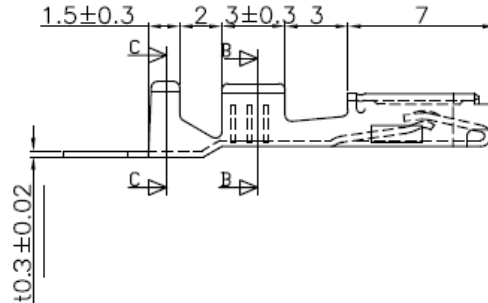
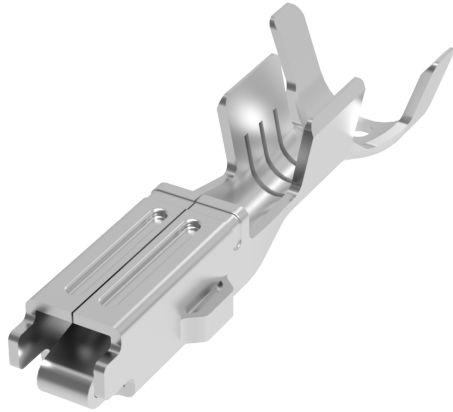
- Packing Method: Reel
- Packaging Quantity per Reel: 6000pcs
- 1 carton: 3 reels



Automotive Connector Terminals



Part Number : HY8808-1 (Equivalent TE171662-1)



Product Type Features

- Sealable: Yes
- Material Type: Brass
- Surface Treatment: Tin Plating
- Automotive Terminal Wire Type: Copper
- Operating Temperature Range: -30–105 °C [-22–261 °F]

Contact Features

- Typical Current Rating: 10A
- Crimp Type: F-Crimp
- Terminal & Splice Type: Receptacle
- Automotive Terminal Interface Plating: Tin (Sn)
- Contact Termination Area Plating Material: Tin (Sn)

Termination Features

- Automotive Terminal Termination Method: Crimp

Dimensions

- Material Thickness: Main Body: 0.3mm
- Wire Size: 0.5-1.25mm²
- Wire Insulation Diameter: 2 – 2.5 mm [.078 – .102 in]

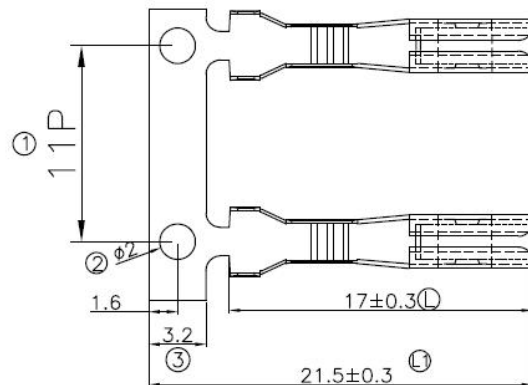
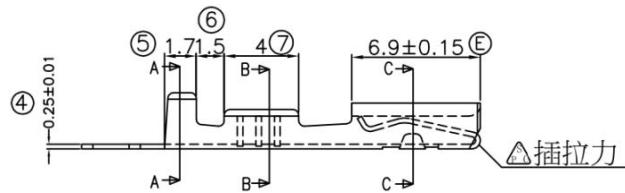
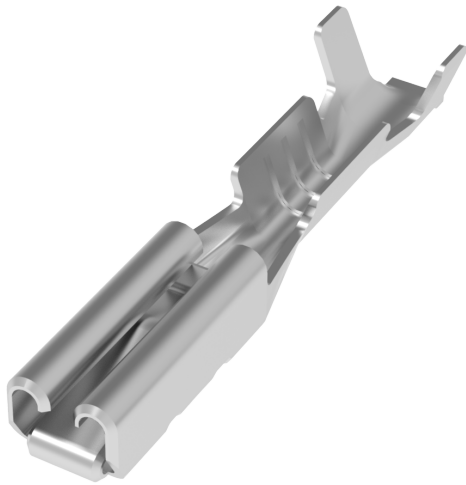
Packaging

- Packing Method: Reel
- Packaging Quantity per Reel: 6000pcs
- 1 carton: 3 reels

Automotive Connector Terminals



Part Number : HY8809-1 (Equivalent ST730365-3)



Product Type Features

Sealable: No
Material Type: Brass
Surface Treatment: Pre- Tin Plating
Automotive Terminal Wire Type: Copper

Contact Features

Typical Current Rating: 10A
Terminal Type: Straight-End
Terminal & Splice Type: Receptacle
Automotive Terminal Interface Plating: Tin (Sn)
Contact Termination Area Plating Material: Tin (Sn)

Termination Features

Automotive Terminal Termination Method: Crimp

Dimensions

Material Thickness: Main Body: 0.25mm
Wire Size: 0.3-0.5mm²
Wire Insulation Diameter: 1.2 – 1.7 mm

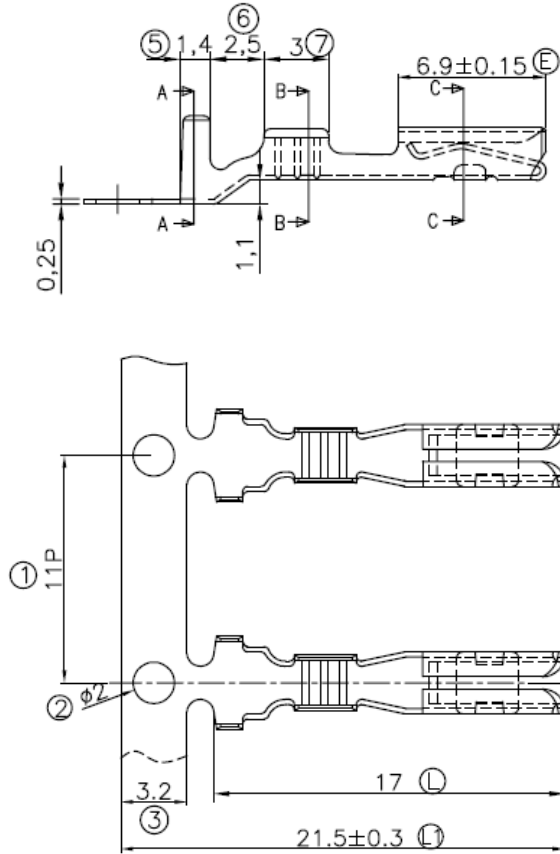
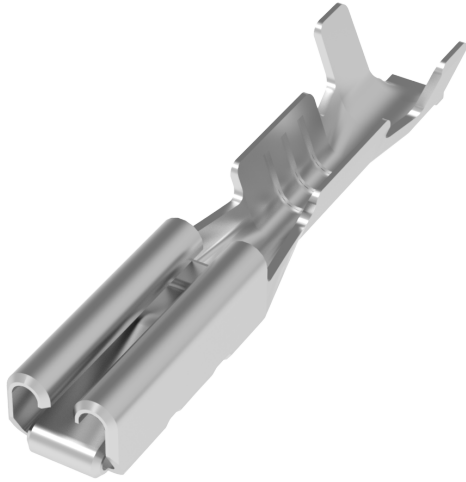
Packaging

Packing Method: Reel
Packaging Quantity per Reel: 7000pcs
1 carton: 3 reels

Automotive Connector Terminals



Part Number : HY8809-2 (Equivalent ST730502-3)



Product Type Features

- Sealable: Yes
- Material Type: Brass
- Surface Treatment: Tin Plating
- Automotive Terminal Wire Type: Copper

Contact Features

- Typical Current Rating: 10A
- Terminal Type: Straight-End
- Terminal & Splice Type: Receptacle
- Automotive Terminal Interface Plating: Tin (Sn)
- Contact Termination Area Plating Material: Tin (Sn)

Termination Features

- Automotive Terminal Termination Method: Crimp

Dimensions

- Material Thickness: Main Body: 0.25mm
- Wire Size: 0.5-1.0mm²
- Wire Insulation Diameter: 1.6 – 1.9 mm

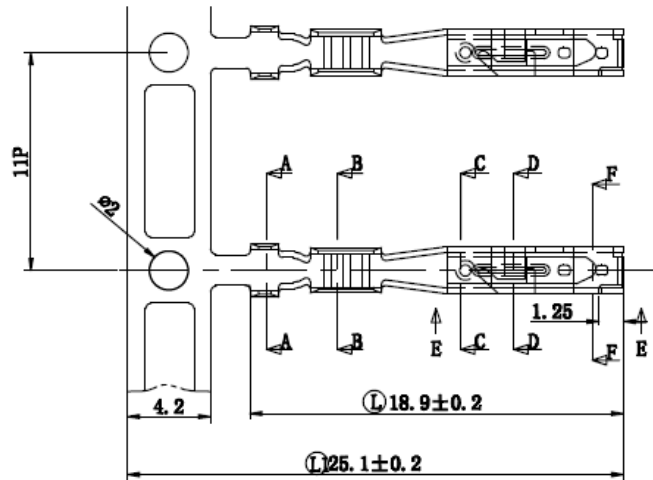
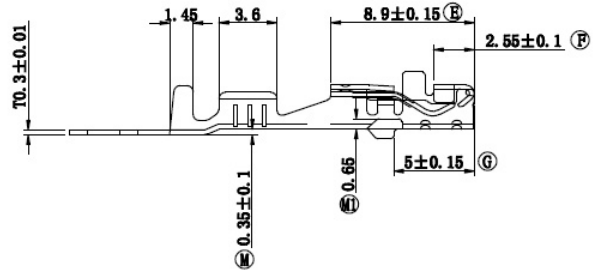
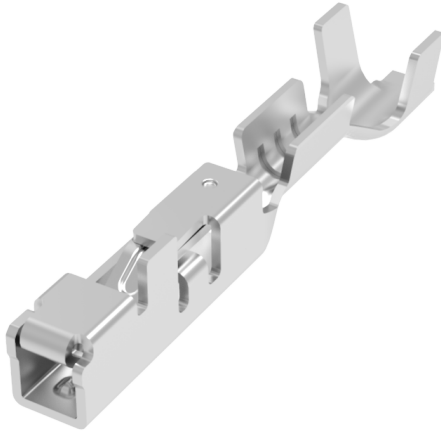
Packaging

- Packing Method: Reel
- Packaging Quantity per Reel: 5000pcs
- 1 carton: 3 reels

Automotive Connector Terminals



Part Number : HY8810-1 (Equivalent 12191811)



Product Type Features

- Sealable: No
- Material Type: CuSn3Zn9
- Surface Treatment: Pre-Tin Plating
- Automotive Terminal Wire Type: Copper
- Operating Temperature Range: -40–125 °C

Termination Features

- Typical Current Rating: Less than 10A
- Crimp Type: F-Crimp
- Automotive Terminal Termination Method: Crimp

Dimensions

- Material Thickness: Main Body: 0.3mm
- Wire Size: 0.3-0.5mm²

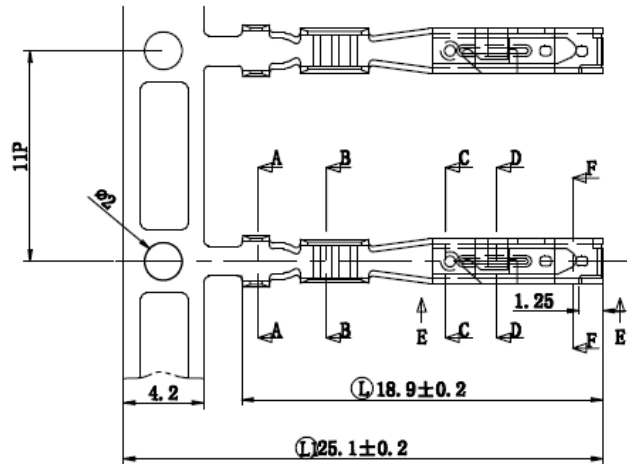
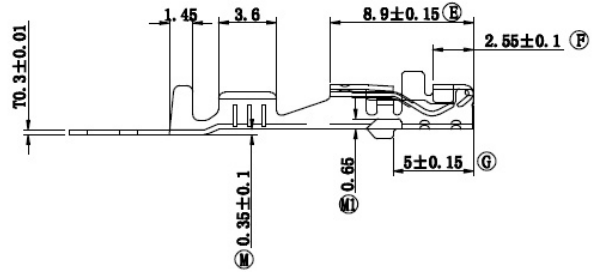
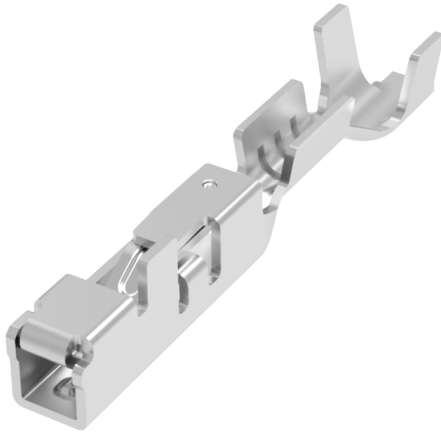
Packaging

- Packing Method: Reel
- Packaging Quantity per Reel: 5000pcs
- 1 carton: 3 reels

Automotive Connector Terminals



Part Number : HY8810-2 (Equivalent 12191818)



Product Type Features

Sealable: No

Material Type: CuSn3Zn9

Surface Treatment: Pre-Tin Plating

Automotive Terminal Wire Type: Copper

Operating Temperature Range: -40–125 °C

Termination Features

Crimp Type: F-Crimp

Automotive Terminal Termination Method: Crimp

Dimensions

Material Thickness: Main Body: 0.3mm

Wire Size: 0.3-1.5mm²

Packaging

Packing Method: Reel

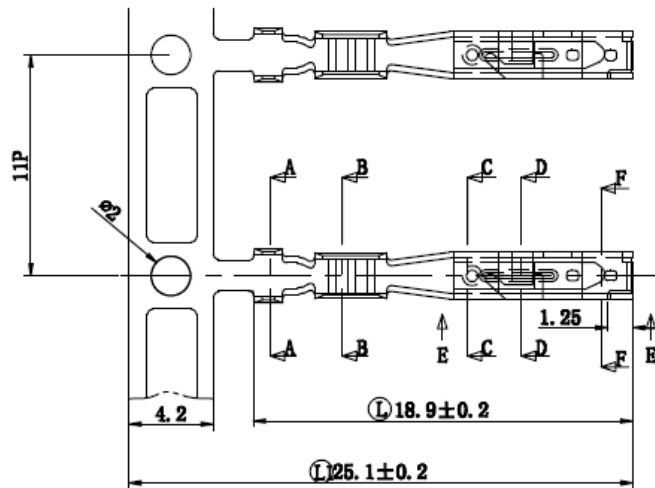
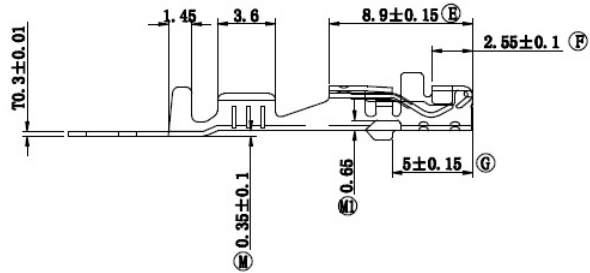
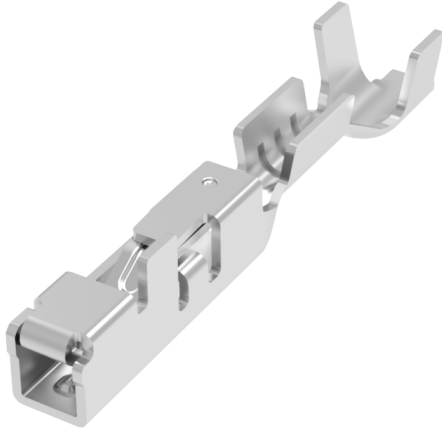
Packaging Quantity per Reel: 5000pcs

1 carton: 3 reels

Automotive Connector Terminals



Part Number : HY8810-3 (Equivalent 12191819)



Product Type Features

- Sealable: No
- Material Type: CuSn3Zn9
- Surface Treatment: Pre-Tin Plating
- Automotive Terminal Wire Type: Copper
- Operating Temperature Range: -40–125 °C

Termination Features

- Crimp Type: F-Crimp
- Automotive Terminal Termination Method: Crimp

Dimensions

- Material Thickness: Main Body: 0.3mm
- Wire Size: 0.75-1.0mm²

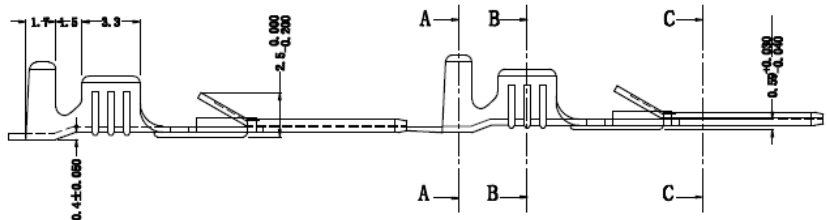
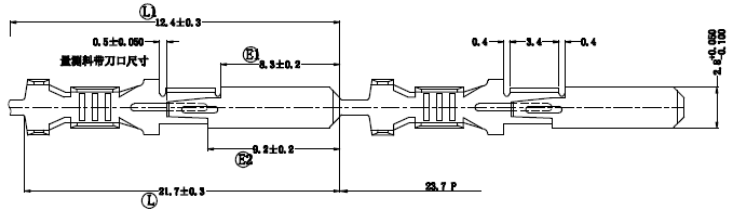
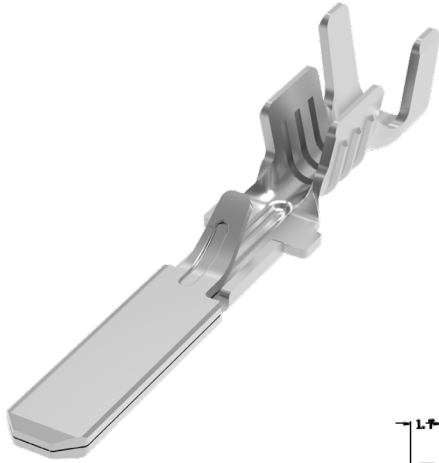
Packaging

- Packing Method: Reel
- Packaging Quantity per Reel: 5000pcs
- 1 carton: 3 reels

Automotive Connector Terminals



Part Number : HY8811-1 (Equivalent 61113050)



Product Type Features

Sealable: No

Material Type: Brass

Surface Treatment: Pre-Tin Plating

Automotive Terminal Wire Type: Copper

Operating Temperature Range: -40–125 °C

Termination Features

Gender: Male

Automotive Terminal Termination Method: Crimp

Dimensions

Material Thickness: Main Body: 0.35mm

Wire Size: 0.85-1.25mm²

Wire Insulation Diameter: 1.2 – 1.7 mm

Packaging

Packing Method: Reel

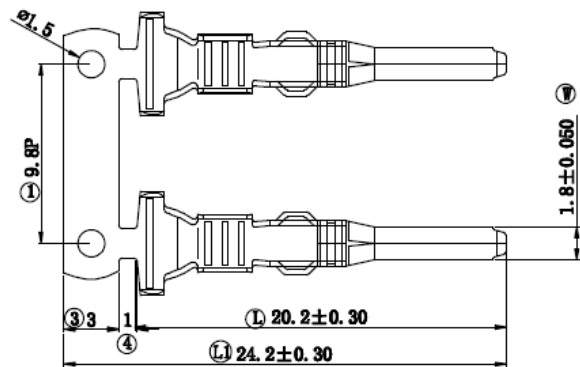
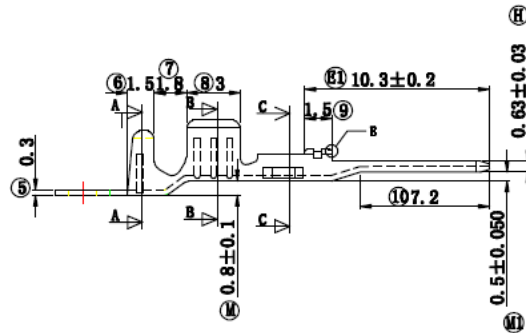
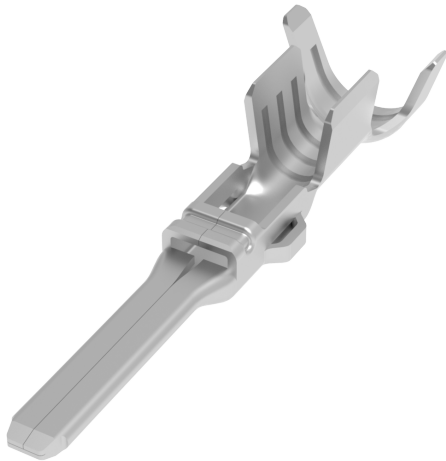
Packaging Quantity per Reel: 8000pcs

1 carton: 3 reels

Automotive Connector Terminals



Part Number : HY8812-1 (Equivalent TE171661-1)



Product Type Features

- Sealable: Yes
- Material Type: Brass
- Surface Treatment: Tin Plating
- Automotive Terminal Wire Type: Copper
- Operating Temperature Range: -30–105 °C [-22–221 °F]

Contact Features

- Typical Current Rating: 10A
- Crimp Type: F-Crimp
- Terminal & Splice Type: Tab
- Automotive Terminal Interface Plating: Tin (Sn)
- Contact Termination Area Plating Material: Tin (Sn)

Termination Features

- Automotive Terminal Termination Method: Crimp

Dimensions

- Material Thickness: Main Body: 0.3mm
- Wire Size: 0.85-1.25mm²
- Wire Insulation Diameter: 2 – 2.5 mm [.078 – .102 in]

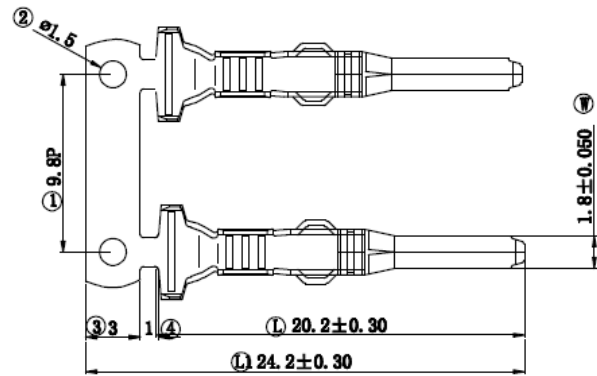
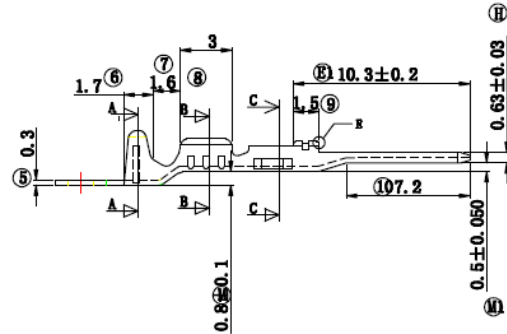
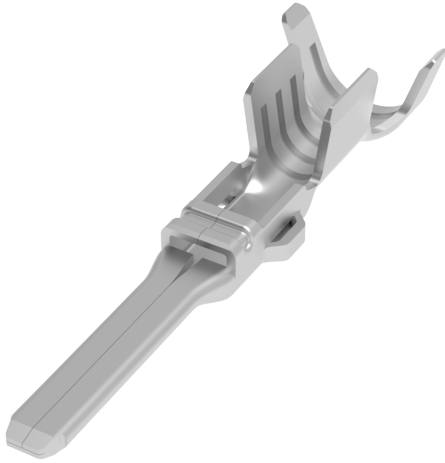
Packaging

- Packing Method: Reel
- Packaging Quantity per Reel: 6000pcs
- 1 carton: 3 reels

Automotive Connector Terminals



Part Number : HY8812-2 (Equivalent TE171631-1)



Product Type Features

- Sealable: Yes
- Material Type: Brass
- Surface Treatment: Tin Plating
- Automotive Terminal Wire Type: Copper
- Operating Temperature Range: -30–105 °C [-22–221 °F]

Contact Features

- Typical Current Rating: 6A
- Crimp Type: F-Crimp
- Terminal & Splice Type: Tab
- Automotive Terminal Interface Plating: Gold (Au)
- Contact Termination Area Plating Material: Tin (Sn)

Termination Features

- Automotive Terminal Termination Method: Crimp

Dimensions

- Material Thickness: Main Body: 0.3mm
- Wire Size: 0.2-0.5mm²
- Wire Insulation Diameter: 1.5 – 2.2 mm [.055 – .094 in]

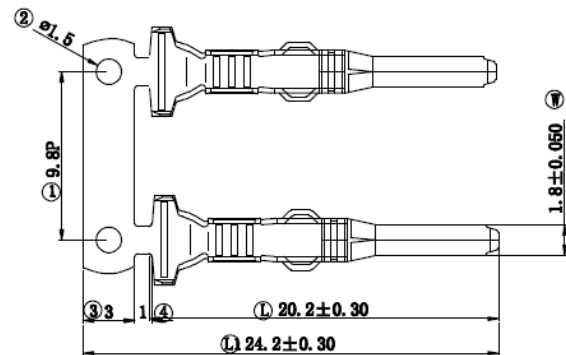
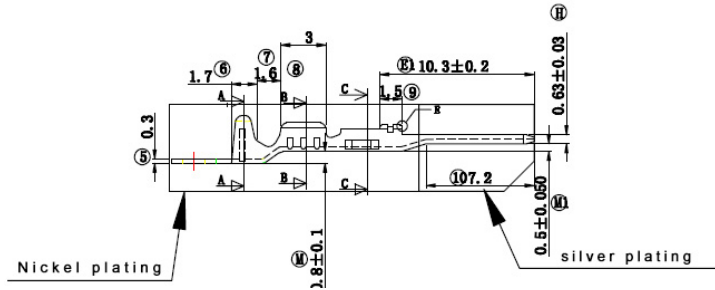
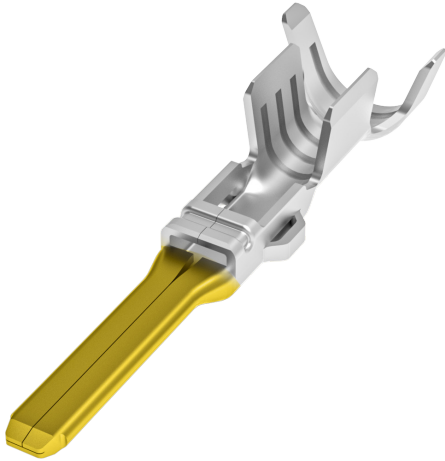
Packaging

- Packing Method: Reel
- Packaging Quantity per Reel: 6000pcs
- 1 carton: 3 reels

Automotive Connector Terminals



Part Number : HY8812-3 (Equivalent TE171631-2)



Product Type Features

- Sealable: Yes
- Material Type: Brass
- Surface Treatment: Gold Plating
- Automotive Terminal Wire Type: Copper
- Operating Temperature Range: -30–105 °C [-22–221 °F]

Contact Features

- Typical Current Rating: 6A
- Crimp Type: F-Crimp
- Terminal & Splice Type: Tab
- Automotive Terminal Interface Plating: Gold (Au)

Termination Features

- Automotive Terminal Termination Method: Crimp

Dimensions

- Material Thickness: Main Body: 0.3mm
- Wire Size: 0.2-0.5mm²
- Wire Insulation Diameter: 1.4 – 2.4 mm [.055 – .094 in]

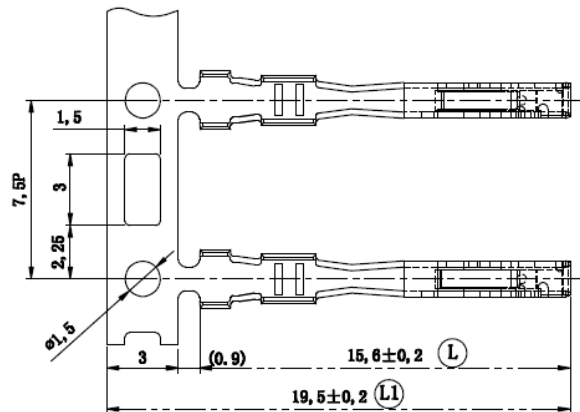
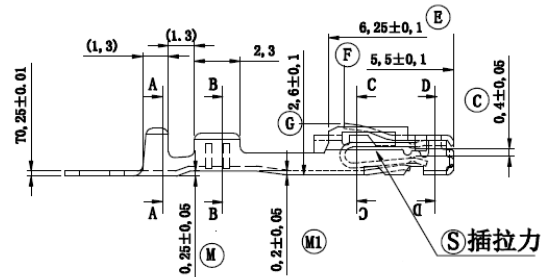
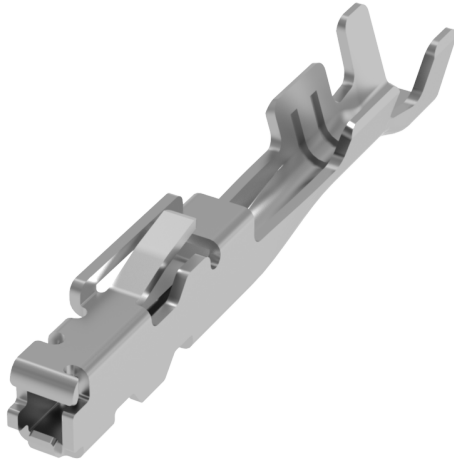
Packaging

- Packing Method: Reel
- Packaging Quantity per Reel: 6000pcs
- 1 carton: 3 reels

Automotive Connector Terminals



Part Number : HY8813-1 (Equivalent TE1123343-1)



Product Type Features

- Sealable: No
- Material Type: Copper Alloy
- Surface Treatment: Tin Plating
- Automotive Terminal Wire Type: Copper
- Operating Temperature Range: -40–130 °C [-40–266°F]
- Receptacle Style : 180°

Contact Features

- Typical Current Rating: 4A
- Crimp Type: F-Crimp
- Terminal & Splice Type: Receptacle
- Automotive Terminal Interface Plating: Tin (Sn)
- Contact Termination Area Plating Material: Tin (Sn)

Termination Features

- Automotive Terminal Termination Method: Crimp

Dimensions

- Material Thickness: Main Body: 0.25mm
- Wire Size: 0.3-0.5mm²
- Wire Insulation Diameter: 0.95 – 1.72 mm [.037 – .067 in]

Packaging

- Packing Method: Reel
- Packaging Quantity per Reel: 10000cs
- 1 carton: 3 reels

Automotive Connector Terminals



Part Number : HY8815-1 (Equivalent TE964269-2)



Product Type Features

- Sealable: Yes
- Material Type: Phosphor bronze
- Surface Treatment: Tin Plating
- Automotive Terminal Wire Type: Copper
- Operating Temperature Range: -40–130 °C [-40–266°F]
- Receptacle Style: 180°

Contact Features

- Typical Current Rating: 10A
- Crimp Type: F-Crimp
- Terminal & Splice Type: Tab
- Automotive Terminal Interface Plating: Tin (Sn)
- Contact Termination Area Plating Material: Tin (Sn)

Termination Features

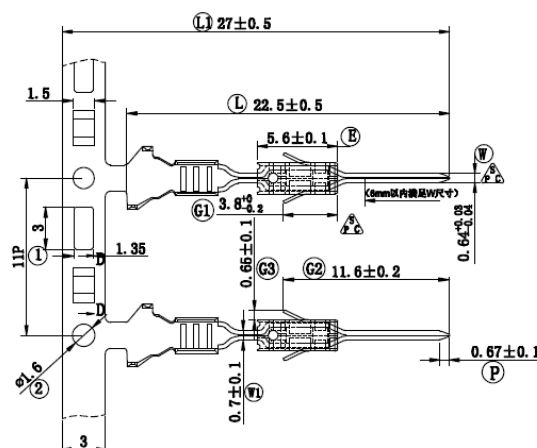
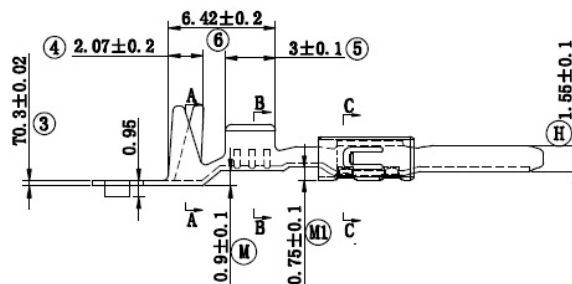
- Automotive Terminal Termination Method: Crimp

Dimensions

- Material Thickness: Main Body: 0.32mm
- Wire Size: 0.5-1.0mm²
- Wire Insulation Diameter: 1.4 – 2.1 mm [.055 – .083 in]

Packaging

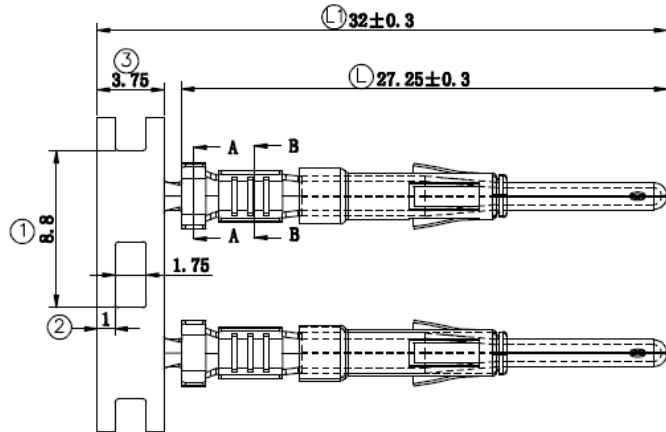
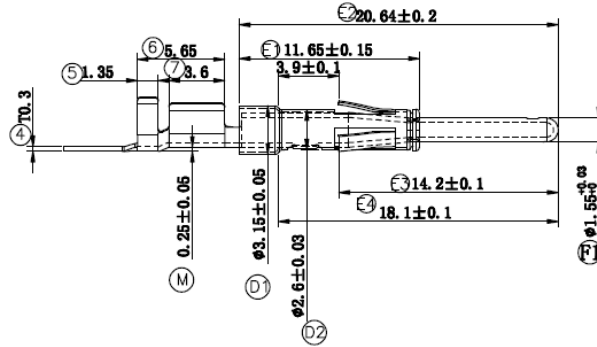
- Packing Method: Reel
- Packaging Quantity per Reel: 4000cs
- 1 carton: 3 reels



Automotive Connector Terminals



Part Number : HY8816-1 (Equivalent 192990-2490)



Product Type Features

- Sealable: No
- Material Type: Brass
- Surface Treatment: Pre-Tin Plating
- Automotive Terminal Wire Type: Copper

Termination Features

- Typical Current Rating: 13A
- Gender: Male
- Automotive Terminal Termination Method: Crimp

Dimensions

- Material Thickness: Main Body: 0.3mm
- Wire Size: 16-18AWG

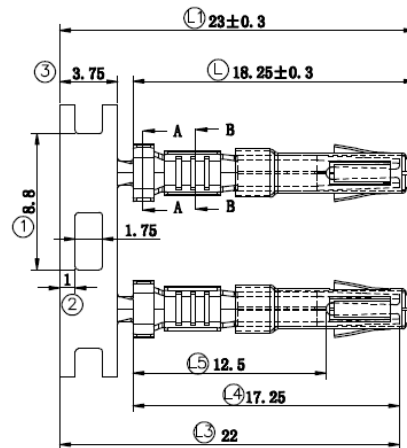
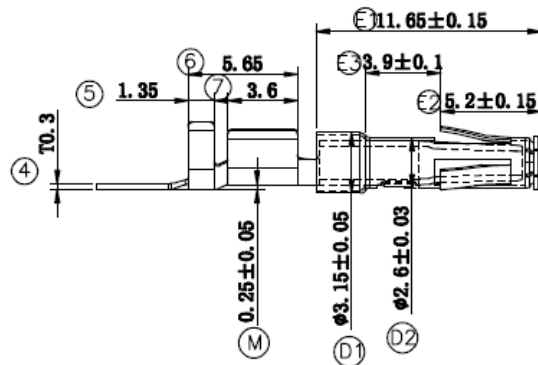
Packaging

- Packing Method: Reel
- Packaging Quantity per Reel: 4000pcs
- 1 carton: 3 reels

Automotive Connector Terminals



Part Number : HY8816-2 (Equivalent 192990-2530)



Product Type Features

- Sealable: No
- Material Type: Brass
- Surface Treatment: Pre-Tin Plating
- Automotive Terminal Wire Type: Copper

Termination Features

- Typical Current Rating: 13A
- Gender: Female
- Automotive Terminal Termination Method: Crimp

Dimensions

- Material Thickness: Main Body: 0.3mm
- Wire Size: 16-18AWG

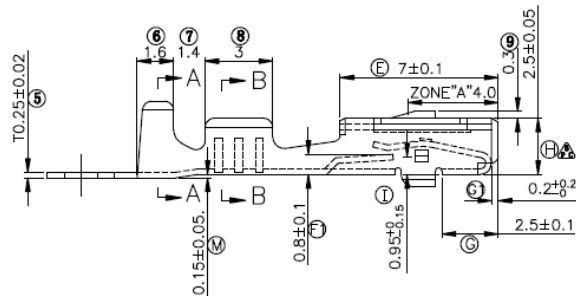
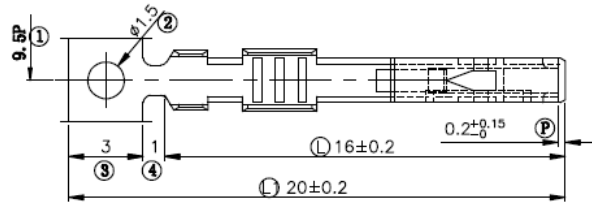
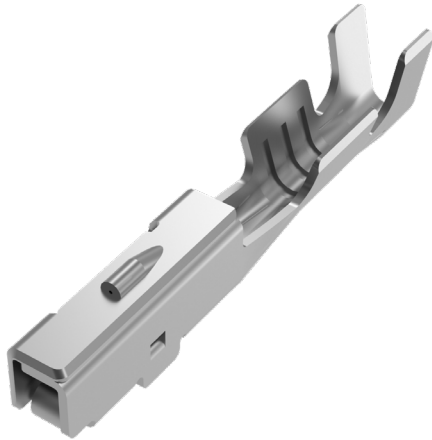
Packaging

- Packing Method: Reel
- Packaging Quantity per Reel: 4000pcs
- 1 carton: 3 reels

Automotive Connector Terminals



Part Number : HY8817-1 (Equivalent TE175265-1)



Product Type Features

- Sealable: No
- Material Type: Copper Alloy
- Surface Treatment: Tin Plating
- Automotive Terminal Wire Type: Copper
- Operating Temperature Range: -30–105 °C [-22–221°F]
- Receptacle Style: 180°

Contact Features

- Crimp Type: F-Crimp
- Terminal & Splice Type: Receptacle
- Automotive Terminal Interface Plating: Tin (Sn)
- Contact Termination Area Plating Material: Tin (Sn)

Termination Features

- Automotive Terminal Termination Method: Crimp

Dimensions

- Material Thickness: Main Body: 0.25mm
- Wire Size: 0.3-0.85mm²
- Wire Insulation Diameter: 1.1 – 2.1 mm [.043 – .083 in]

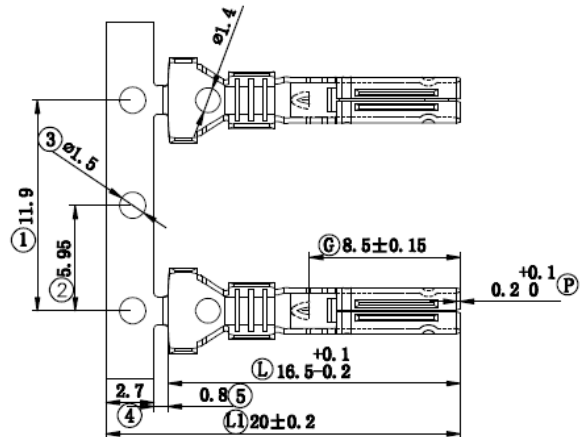
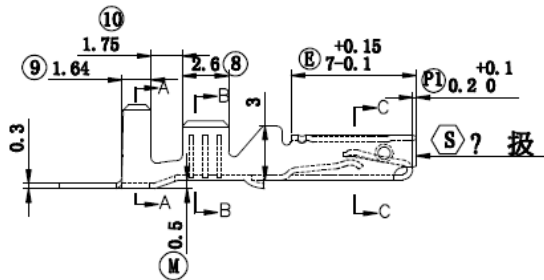
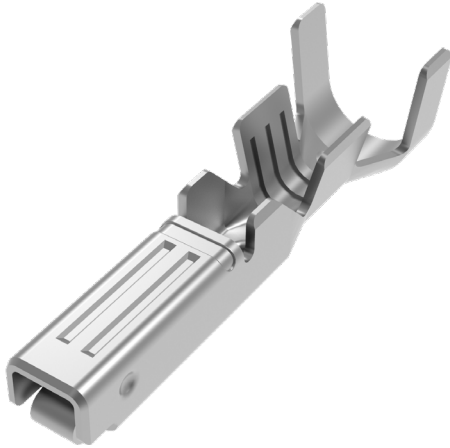
Packaging

- Packing Method: Reel
- Packaging Quantity per Reel: 5000cs
- 1 carton: 3 reels

Automotive Connector Terminals



Part Number : HY8820-1 (Equivalent TE282110-1)



Product Type Features

- Sealable: Yes
- Material Type: Phosphor bronze
- Surface Treatment: Tin Plating
- Automotive Terminal Wire Type: Copper
- Operating Temperature Range: -40–125 °C [-40–125°F]
- Receptacle Style : 180°

Contact Features

- Typical Current Rating: 14A
- Crimp Type: F-Crimp
- Terminal & Splice Type: Receptacle
- Automotive Terminal Interface Plating: Tin (Sn)
- Contact Termination Area Plating Material: Tin (Sn)

Termination Features

- Automotive Terminal Termination Method: Crimp

Dimensions

- Material Thickness: Main Body: 0.3mm
- Wire Size: 0.75-1.5mm²
- Wire Insulation Diameter: 1.7 – 3.3 mm [.067 – .13 in]

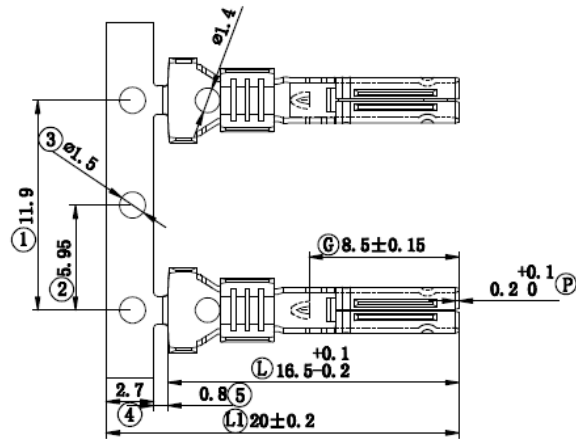
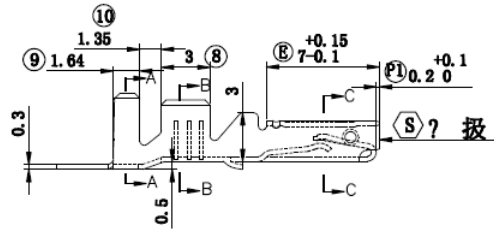
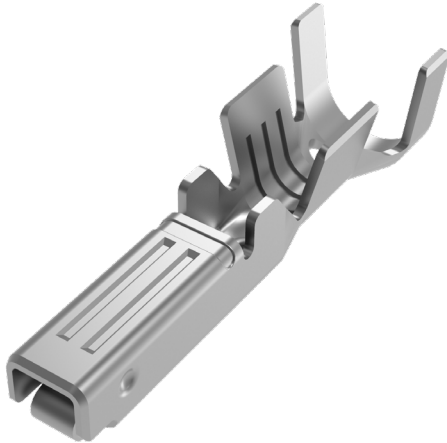
Packaging

- Packing Method: Reel
- Packaging Quantity per Reel: 4000pcs
- 1 carton: 3 reels

Automotive Connector Terminals



Part Number : HY8820-2 (Equivalent TE282466-1)



Product Type Features

- Sealable: Yes
- Material Type: Phosphor bronze
- Surface Treatment: Tin Plating
- Automotive Terminal Wire Type: Copper
- Operating Temperature Range: -40–125 °C [-40–125°F]
- Receptacle Style : 180°

Contact Features

- Typical Current Rating: 14A
- Crimp Type: F-Crimp
- Terminal & Splice Type: Receptacle
- Automotive Terminal Interface Plating: Tin (Sn)
- Contact Termination Area Plating Material: Tin (Sn)

Termination Features

- Automotive Terminal Termination Method: Crimp

Dimensions

- Material Thickness: Main Body: 0.3mm
- Wire Size: 1.5-2.5mm²
- Wire Insulation Diameter: 2.2 – 2.4 mm

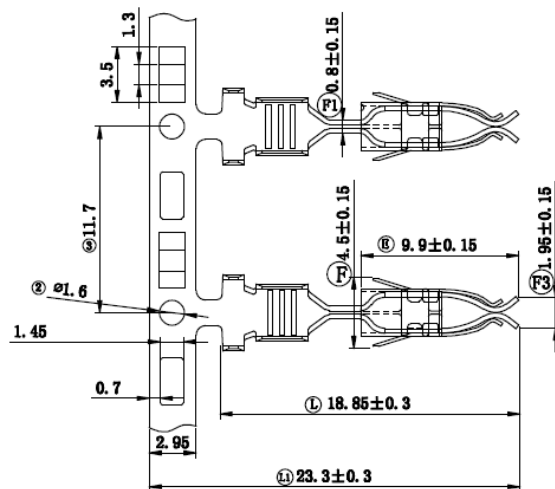
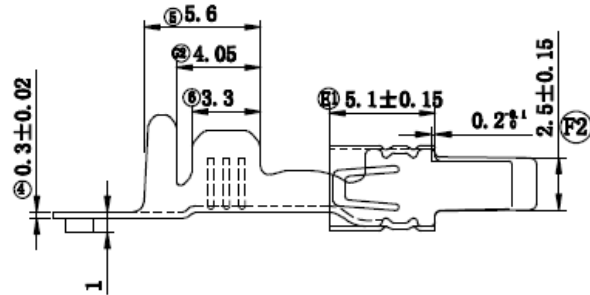
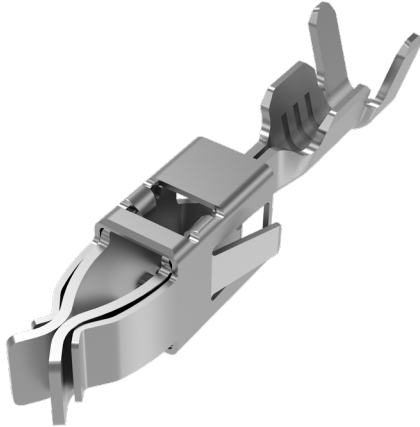
Packaging

- Packing Method: Reel
- Packaging Quantity per Reel: 4000pcs
- 1 carton: 3 reels

Automotive Connector Terminals



Part Number : HY8821-1 (Equivalent 26701201185)



Product Type Features

- Sealable: Yes
- Material Type: Phosphor Bronze
- Surface Treatment: Pre- Tin Plating
- Automotive Terminal Wire Type: Copper

Contact Features

- Terminal & Splice Type: Receptacle

Termination Features

- Automotive Terminal Termination Method: Crimp

Dimensions

- Material Thickness: Main Body: 0.32mm
- Wire Size: 0.5-1.0mm²

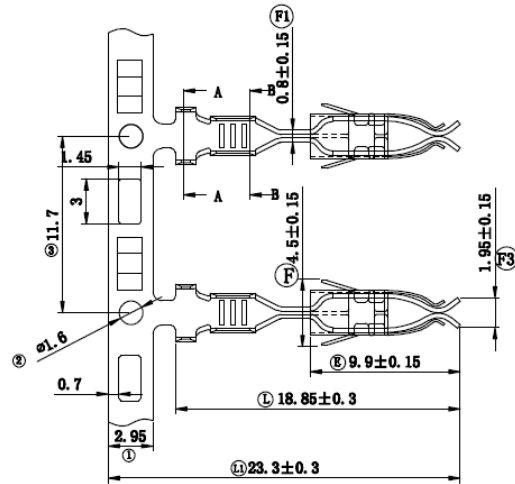
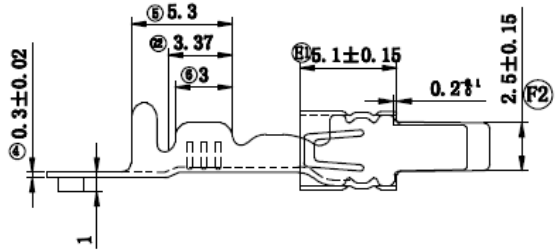
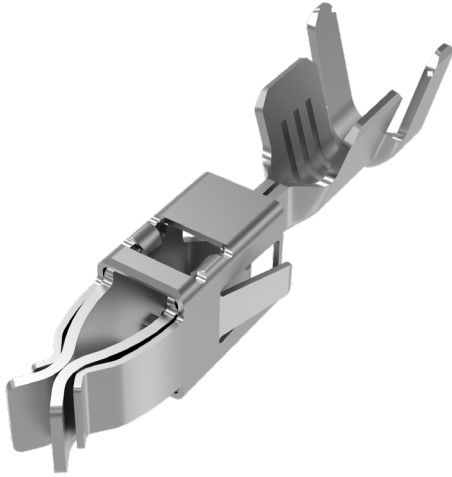
Packaging

- Packing Method: Reel
- Packaging Quantity per Reel: 5000pcs
- 1 carton: 3 reels

Automotive Connector Terminals



Part Number : HY8821-2 (Equivalent 26705201185)



Product Type Features

- Sealable: Yes
- Material Type: Phosphor Bronze
- Surface Treatment: Pre- Tin Plating
- Automotive Terminal Wire Type: Copper

Contact Features

- Gender: Female
- Terminal & Splice Type: Receptacle

Termination Features

- Automotive Terminal Termination Method: Crimp

Dimensions

- Material Thickness: Main Body: 0.32mm
- Wire Size: 1.5-2.5mm²

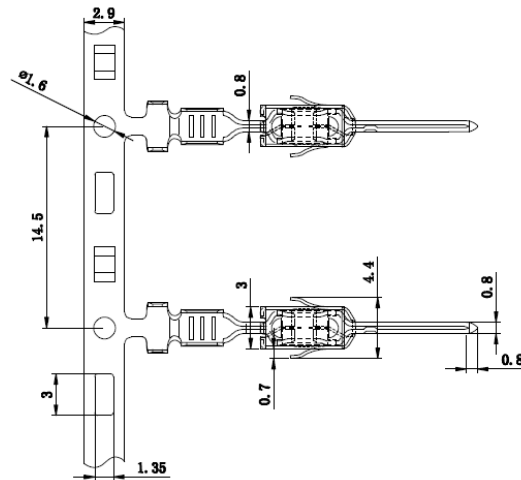
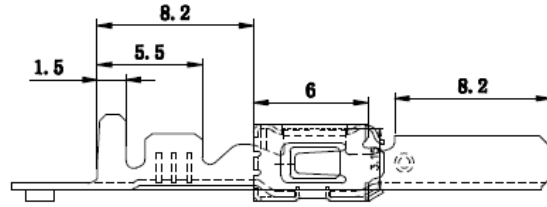
Packaging

- Packing Method: Reel
- Packaging Quantity per Reel: 4000pcs
- 1 carton: 3 reels

Automotive Connector Terminals



Part Number : HY8822-1 (Equivalent TE2-964294-2)



Product Type Features

Sealable: No
Material Type: Iron bronze
Surface Treatment: Tin Plating
Automotive Terminal Wire Type: Copper
Operating Temperature Range: -40–140 °C [-40–284°F]

Contact Features

Typical Current Rating: 30A
Crimp Type: F-Crimp
Terminal & Splice Type: Tab
Automotive Terminal Interface Plating: Silver (Ag)

Termination Features

Automotive Terminal Termination Method: Crimp

Dimensions

Material Thickness: Main Body: 0.32mm
Wire Size: 0.5-1.0mm²
Wire Insulation Diameter: 1.4 – 2.1 mm [.055 – .083 in]

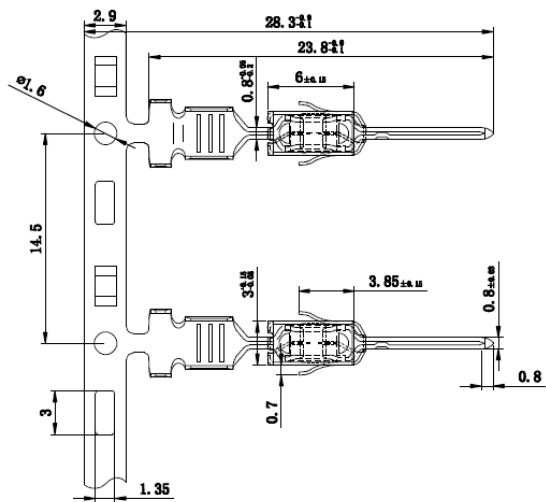
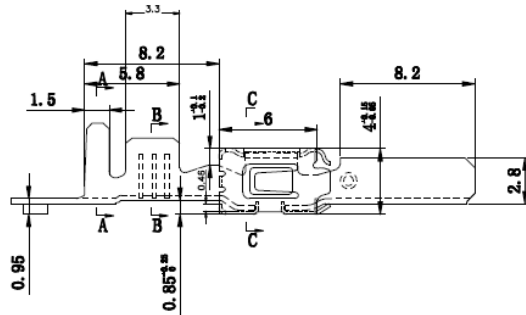
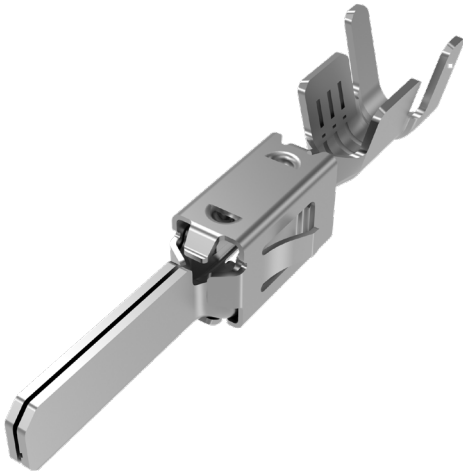
Packaging

Packing Method: Reel
Packaging Quantity per Reel: 4000pcs
1 carton: 3 reels

Automotive Connector Terminals



Part Number : HY8822-2 (Equivalent TE2-964296-2)



Product Type Features

- Sealable: No
- Material Type: Iron bronze
- Surface Treatment: Tin Plating
- Automotive Terminal Wire Type: Copper
- Operating Temperature Range: -40–140 °C [-40–284°F]

Contact Features

- Typical Current Rating: 30A
- Crimp Type: F-Crimp
- Terminal & Splice Type: Tab
- Automotive Terminal Interface Plating: Silver (Ag)
- Contact Termination Area Plating Material : Silver (Ag)

Termination Features

- Automotive Terminal Termination Method: Crimp

Dimensions

- Material Thickness: Main Body: 0.32mm
- Wire Size: 1.0-2.5mm²
- Wire Insulation Diameter: 2.2 – 2.4 mm [.087 – .118in]

Packaging

- Packing Method: Reel
- Packaging Quantity per Reel: 3300pcs
- 1 carton: 3 reels

Contact Us

Shandong Universal Precision Industrial Limited

Tel : 15153183484

Fax : +86-0531-88752516

Http : www.ue.link

Email : sales@uecable.com helen@uecable.com

Address : 16311 East of JingShi Road, ZhangQiu, JiNan, ShanDong, China